

SATURNAL

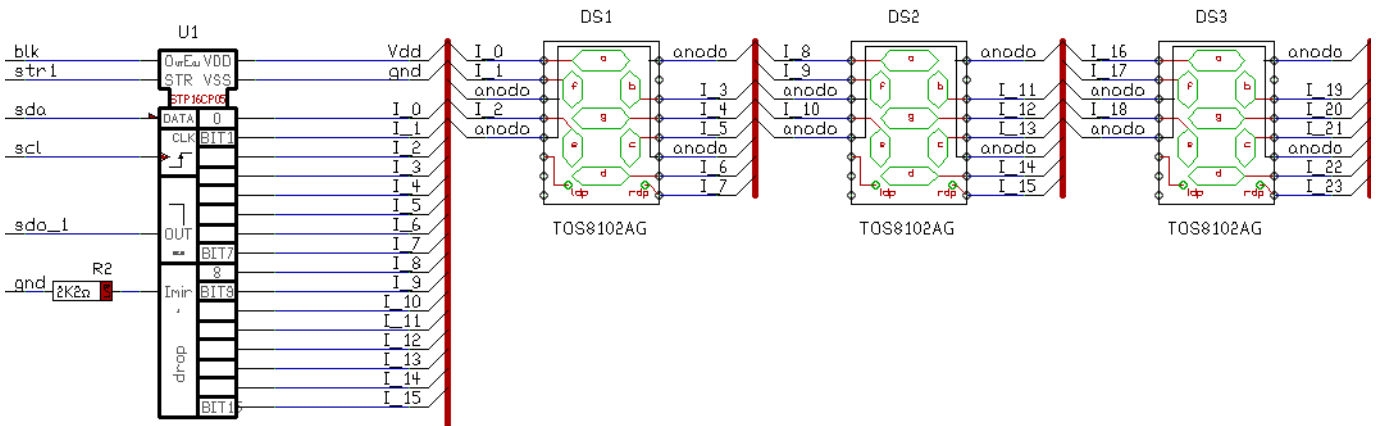


saturnal@saturnal.eu

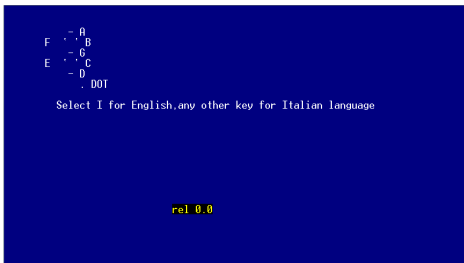
skype.giorgio.marchi

Help file for SIPO - LCD assignment

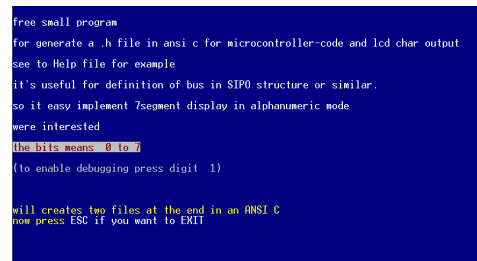
I must write code for microcontroller to drive 3 segment lcd.
The picture down it's one example of this application



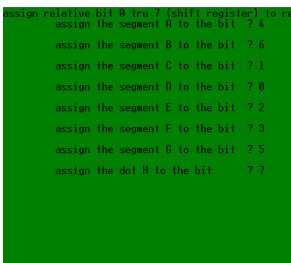
Run the program SR_LCD.EXE



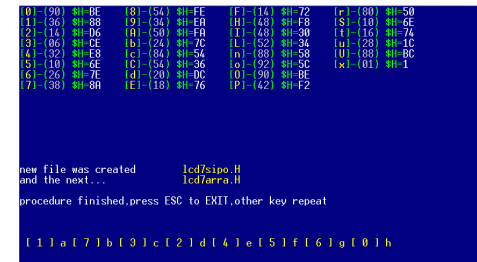
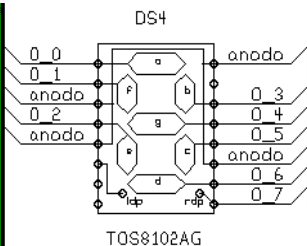
Select GB language press I



If you want abort press ESC



Assign number of SIPO bit to correspondening segment



Process input and create 2 files

SATURNAL



saturnal@saturnal.eu

[_skype giorgio.marchi](#)

Help file for SIPO - LCD assignment

completed assignment to two files are generated, they are :

LCD7ARRA.H

```
/*
**  Marchi Giorgio Saturnal 2008
**  Array Table
**
**  uso alternativo con array monodimensionale
**  30 aprile 2008
**
*/

//
_0,_1,_2,_3,_4,_5,_6,_7,_8,_9,_A,_b,_c,_C,_d,_E,_F,_H,
_I,_L,_n,_o,_O,_P,_r,_S,_t,_u,_U,_x,
//
BE,88,D6,CE,E8,6E,7E,8A,FE,EA,FA,7C,54,36,DC,76,72,F8,
30,34,58,5C,BE,F2,50,6E,74,1C,BC,01,
const unsigned char x[30]={
    0xBE,
    0x88,
    0xD6,
    0xCE,
    0xE8,
    0x6E,
    0x7E,
    0x8A,
    0xFE,
    0xEA,
    0xFA,
    0x7C,
    0x54,
    0x36,
    0xDC,
    0x76,
    0x72,
    0xF8,
    0x30,
    0x34,
    0x58,
    0x5C,
    0xBE,
    0xF2,
    0x50,
    0x6E,
    0x74,
    0x1C,
    0xBC,
    0x01,
};
```

LCD7SIPO.H

```
/*
**  Marchi Giorgio Saturnal 2008
**  define Table
**
**  processo direttamente ogni chiamata
**  30 aprile 2008
**
*/

#define _0 0xBE
#define _1 0x88
#define _2 0xD6
#define _3 0xCE
#define _4 0xE8
#define _5 0x6E
#define _6 0x7E
#define _7 0x8A
#define _8 0xFE
#define _9 0xEA
#define _A 0xFA
#define _b 0x7C
#define _c 0x54
#define _C 0x36
#define _d 0xDC
#define _E 0x76
#define _F 0x72
#define _H 0xF8
#define _I 0x30
#define _L 0x34
#define _n 0x58
#define _o 0x5C
#define _O 0xBE
#define _P 0xF2
#define _r 0x50
#define _S 0x6E
#define _t 0x74
#define _u 0x1C
#define _U 0xBC
#define _x 0x01
```

Include now one of this files in your project for drive one or more 7segLCD
Good work, Giorgio